

PARKS & RECREATION COMMITTEE MINUTES

April 4, 2018

COMMITTEE MEMBERS PRESENT: Rob Way, Lori Dean, Bob Besaw, John Faucher

COMMITTEE MEMBERS ABSENT: Dennis Herter, Bob Marcks, Henrica Bult

COUNCIL MEMBERS PRESENT: Mayor Gary Henke, Mike Barrington, Dave Morack, Ron Steinhorst

OTHERS PRESENT: Chad Hoerth, Director of Public Services
Kent Hager, City Administrator
Scott Bellile, New London Press Star
Jamie Walbruck, New London Youth Baseball Rep

Way called the meeting to order @ 5:29 p.m. Dean moved to approve the agenda, seconded by Besaw. *Motion carried by all.*

Public comment(s) relevant to items on the Agenda: None

Consider accepting a donation of facility improvements at Pfeifer Park from New London Youth Baseball: New London Youth Baseball approached the city with the interest in building a new “grilling hut” and three scoring booths at Pfeifer Park. The purpose for the improvements is to shade and shelter volunteers who work for the club during baseball games and tournaments. Walbruck stated that he is interested in seeing some type of recognition for the financial sponsors for the projects. Hoerth stated that he will refer to current policy and work with the club on their recognition requests.

Dean moved, seconded by Besaw to recommend that Council accept the donation of facility improvements at Pfeifer Park. *Motion carried by all.*

Director’s Report: There were no questions on the monthly reports and statistics.

Chairman’s Report. Way stated that other communities have reported declines in adult softball registrations and asked Hoerth if the city has seen similar declines. Hoerth agreed that he has seen similar declines in adult softball participation over the past 10+ years but noted that increases have been seen in single day events like 5/10k runs, mud runs or other type of one day fitness events.

Committee Member’s Report: None

Next Month Agenda Items: None identified at this time.

Besaw moved to adjourn; seconded by Faucher at 5:49 p.m. *Motion carried by all.*

Chad R. Hoerth
Director of Public Services

AGENDA

Unless specifically noticed otherwise, this meeting and all other meetings of this body are open to the public. Proper notice has been posted and given to the media in accordance with Wisconsin Statutes so that citizens may be aware of the time, place and purpose of the meeting.

MEETING NOTICE

AMENDED

PARKS & RECREATION COMMITTEE

Wednesday, April 4th, 2018

The Parks & Recreation Committee Meeting will be called to order following the 4:30 p.m. Finance & Personnel Committee Meeting (the Parks and Recreation Committee is estimated to start between ~~4:10 p.m.~~ 5:10 p.m.- 5:40 p.m.)

Council Chamber, New London Municipal Building

1. Call meeting to order, Adopt Agenda
2. Director's Memo
3. Public comment relevant to items on the agenda
4. Consider accepting a donation of facility improvements at Pfeifer Park from New London Youth Baseball
5. Director's Report
6. Chairman's Report
7. Committee Member's Report
8. Next Month Agenda Items
9. Adjournment

Rob Way, Chairman
New London Parks & Recreation Committee

Agenda items are listed so as to accurately describe the actions or issue being considered instead of simply the document listing title or the parties to a contract. This is done as such titles or a list of parties to a contract conveys insufficient information to the public on whether a topic or project they are interested in is being considered. It is the policy of the City of New London to comply in good faith with all applicable regulations, guidelines, etc. put forth in the American with Disabilities Act (ADA). To that end, it is the City's intent to provide equal opportunity for everyone to participate in all programs and/or services offered, to attend every public meeting scheduled, and to utilize all public facilities available. Any person(s) in need of an alternative format (i.e. larger print, audio tapes, Braille, readers, interpreters, amplifiers, transcript) regarding information disseminated by the City of New London should notify the City 48 hours prior to a meeting, etc., or allow 48 hours after a request for a copy of brochures, notices, etc. for delivery of that alternative format. Contact ADA Co-Coordinator Paul Hanlon or Chad Hoerth by telephone through: (Relay Wisconsin) – or 920/982-8500 and in person/letter at 215 N. Shawano Street, New London, WI 54961.



Parks & Recreation Office
215 N. Shawano Street
New London, WI 54961
920.982.8521
Fax: 920.982.8665

Aquatic & Fitness Center
815 W. Washington Street
New London, WI 54961
920.9828524

Senior Center & Transit
600 W. Washington Street
New London, WI 54961
Center: 920.982.8522
Transit: 920.982.8523

New London Access
215 N. Shawano Street
New London, WI 54961
920.982.8537

Building & Grounds/
Park Shop
915 W. Wolf River Ave
New London, WI 54961
920.982.8510

DEPARTMENT OF PARKS & RECREATION CITY OF NEW LONDON

Memorandum

TO: New London Park & Recreation Committee
FROM: Chad Hoerth
RE: Wednesday, April 4th, 2018 Park and Rec Committee Meeting
DATE: Wednesday, March 28, 2018

**PLEASE MAKE NOTE THAT THE MEETING WILL BE ON WEDNESDAY
IMMEDIATELY FOLLOWING THE FINANCE & PERSONNEL MEETING.**

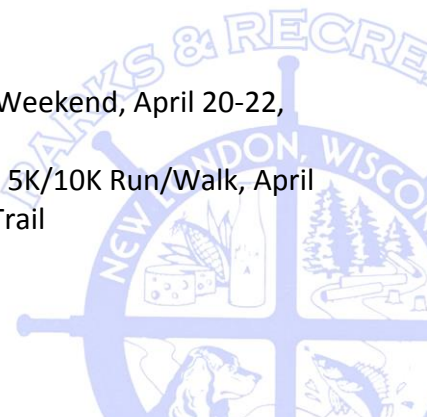
Consider accepting a donation of facility improvements at Pfeifer Park from New London Youth Baseball: New London Youth baseball would like to make two types of improvements at Pfeifer Park.

1. They would like to build a "Grilling Hut" near the concession stand. This would shade their grillers from the sun and protect them and the grill from brief rain storms. Enclosed in your packet are detailed plans for the proposed 10x10 shelter. We're still working out the details where the hut will be located and I hope to have this info by the time we meet (the hut needs to be 20 feet from the current concession stand).
2. The club would also like to extend three of the current dugout to make a separate scoring booth area. The scoring area would have a roof line similar to the dugouts and again shelter the scoring person from the sun and rain.

With that said, I see no issues at this time with the proposal as presented and recommend that the committee/council accept the donation.

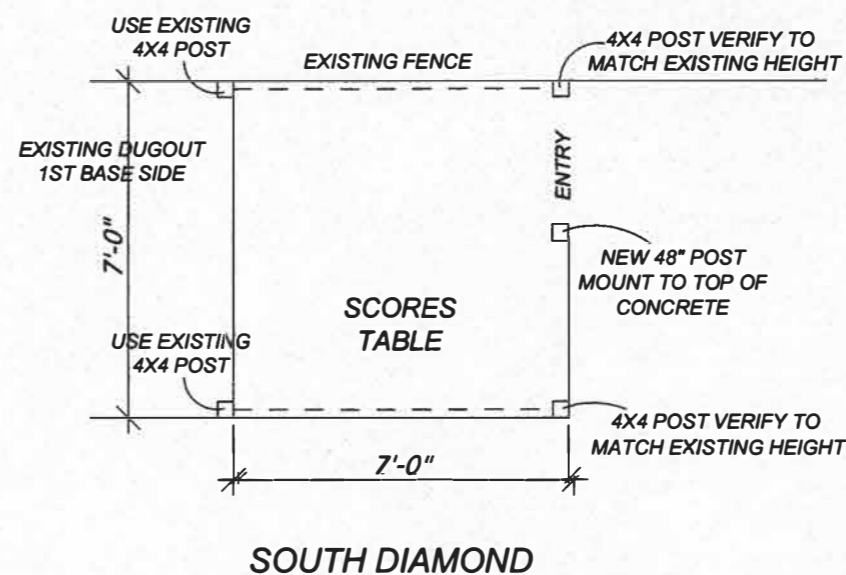
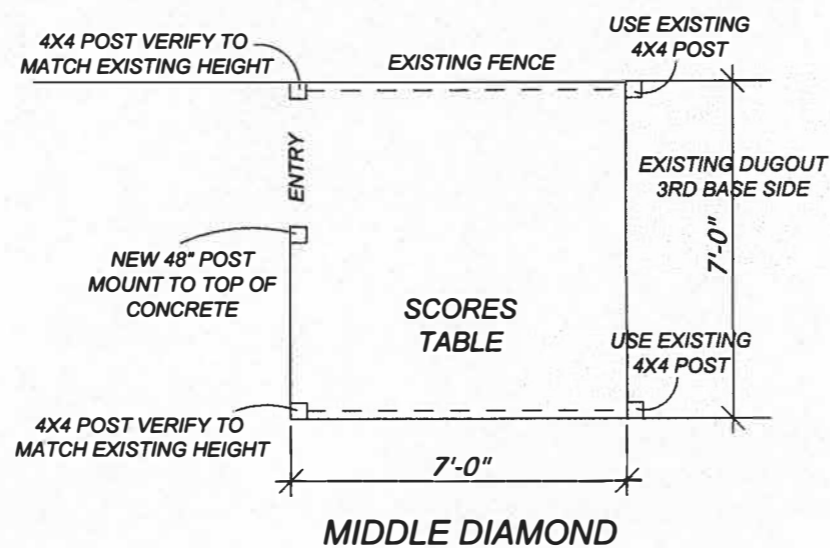
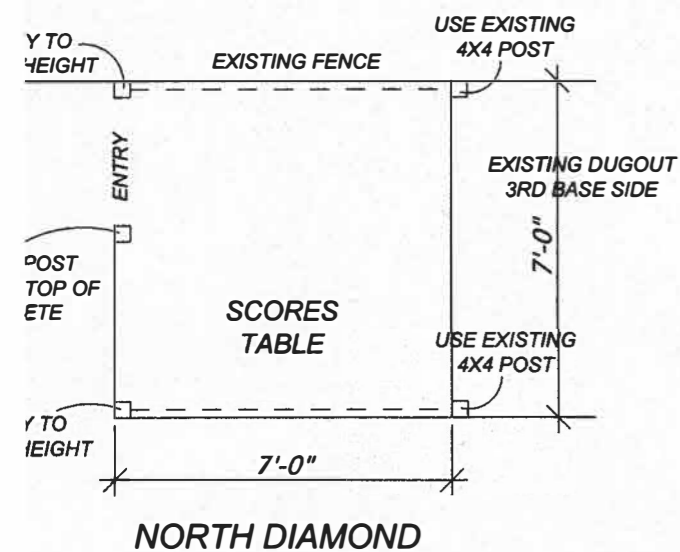
Director's Report

1. Years of Service Report:
 - i. No work anniversaries to report
2. Department Usage & Financial Statistics –Reports will be emailed before the meeting.
3. Upcoming/Past Events –
 - i. New London Fish and Game Club- Big Whopper Weekend, April 20-22, 2018 – Riverside Park
 - ii. First State Bank (new sponsor)- Sturgeon Shuffle 5K/10K Run/Walk, April 28th – Hatten Park and running to the Sturgeon Trail



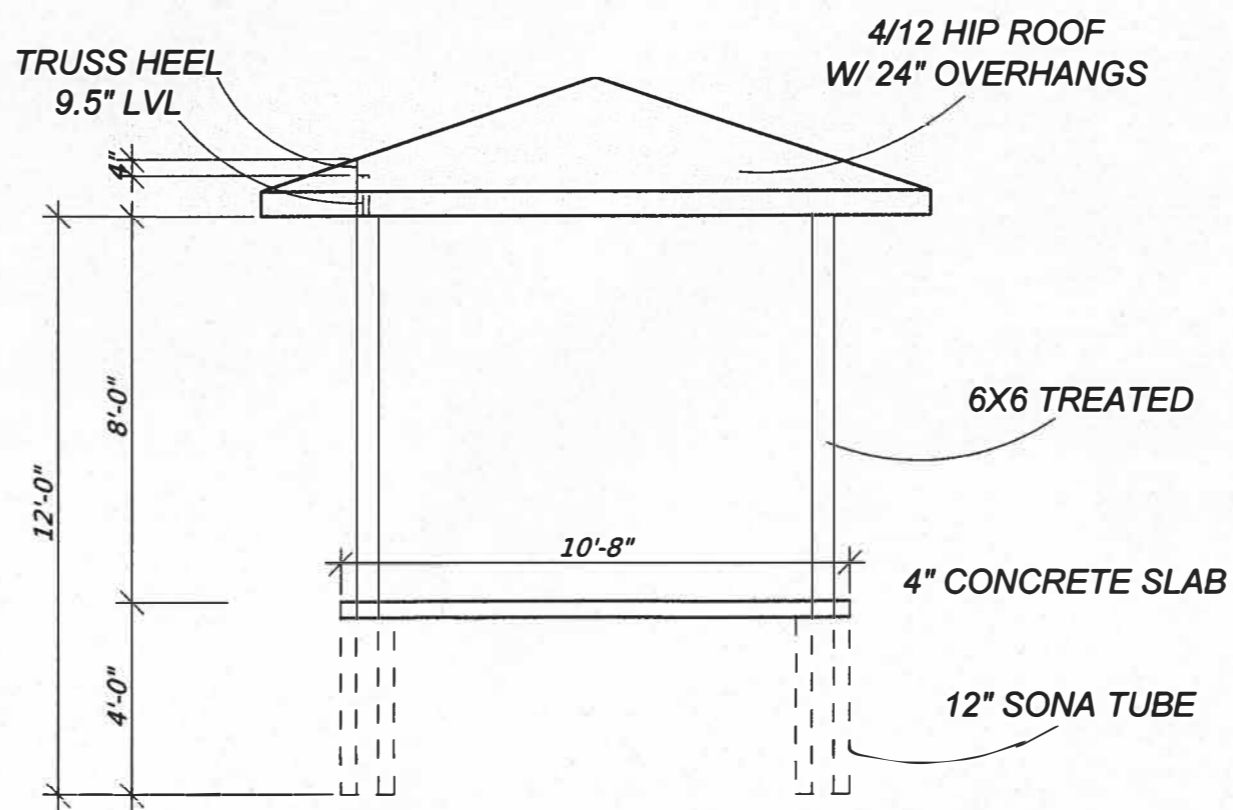
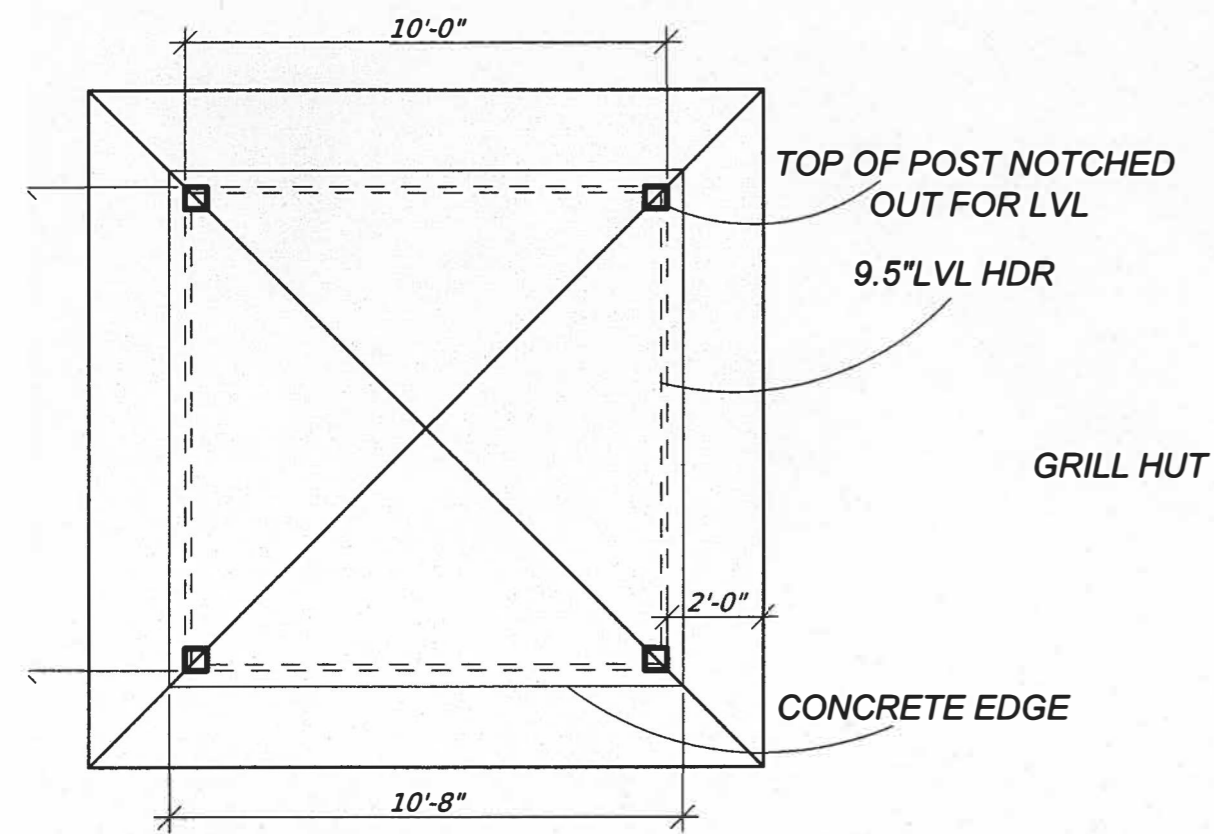
4. Updates on Projects/Notable Information:
- i. NEWTON BLACKMOUR Trail extension- No new news to report on at this time.
 - ii. Boat Launch Extension Project – Contracts have been signed and executed. Now we just wait until summer so the project can begin.
 - iii. Downtown River wall replacement & dock project- Dredging at the Riverwall site is complete. The contractor needs to remove their silt barrier, which I anticipate will be soon now that the ice is moving out.
 - iv. Pool Mechanical System Upgrades- demo work is complete and the contractors are working on installing the new components. Maybe we'll take a tour of the progress in May.

General Notes



ALL DIAMONDS TO HAVE EQUAL 7' X 7' SCORES TABLE EXTENSION PUT ON

MATCH EXISTING STRUCTURE
VERIFYING POST, BEAMS, AND ROOF



PRELIMINARY

FOR BIDDING PURPOSES ONLY - NOT FOR CONSTRUCTION

FINAL

VERIFY PLAN DATE WITH ALL CONTRACTORS PRIOR TO CONSTRUCTION

ALL DRAWINGS ARE THE PROPERTY OF THE DESIGNER AND THEY ARE NOT TO BE REPRODUCED IN WHOLE OR IN PART WITHOUT THE WRITTEN CONSENT OF THE DESIGNER.
CONTRACTOR TO CHECK AND VERIFY ALL DIMENSIONS BEFORE COMMENCING WORK AND TO REPORT ANY DISCREPANCIES TO THE DESIGNER.



1718 MILL ST.
NEW LONDON, WI 54961
TEL: 1-920-982-3832

Project Name and Address:

PFEIFER PARK

© 2017 NEW LONDON BUILDING SUPPLY

Client:

NLYB

Drawing:

NLYB-0318

Scale:

1/4" = 1'-0"

Date: 03/2018

Drawn By:

K. CAREW

Checked By:

Approved By:

A1